

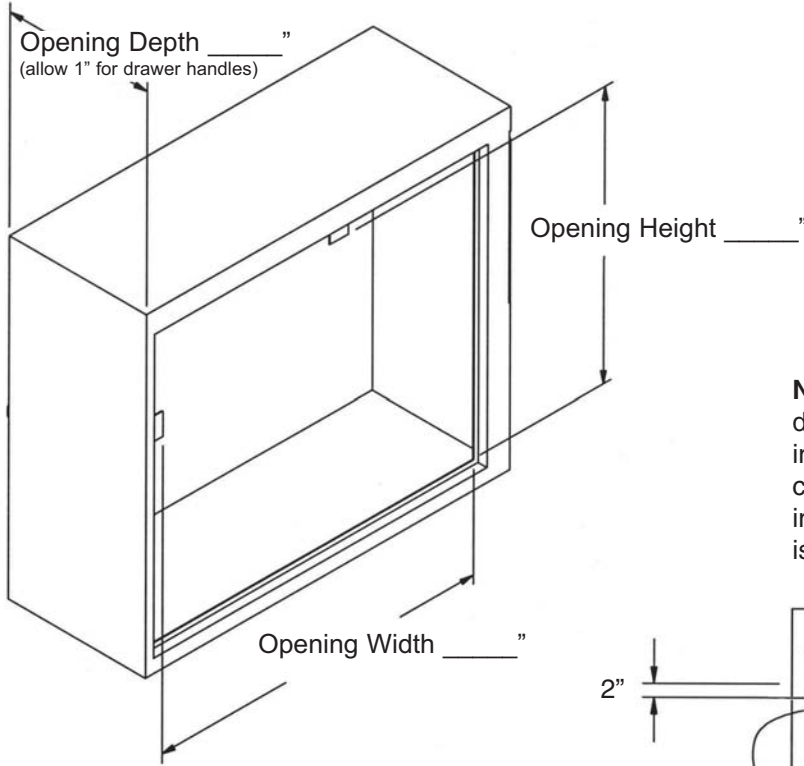


Drawer System Measurement Guide

Heavy duty drawer system sets consist of:

(1) one top shelf, side panels, standard 2.5" risers, heavy duty 500 lb. slides, single handle latching hardware, powder coated front panel and galvanized components.

HEIGHT INCLUDES 2.5" RISER --- ADD 1" TO DEPTH FOR DOOR HANDLE.



Note: Measure the unobstructed, clear opening dimensions of the compartment. Obstructions may include, but are not limited to: doors, striker plates, chains, weather strip, and any other items that may interfere with door opening. Also, check to see if there is an offset in the back of the compartment.

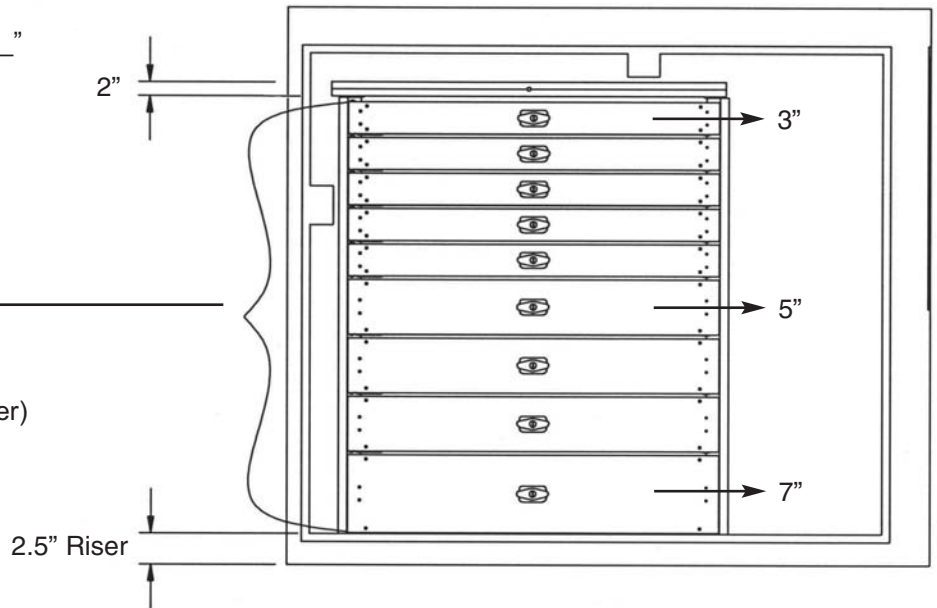
Qty. _____ x 3" = _____"

Qty. _____ x 5" = _____"

Qty. _____ x 7" = _____"

+ 4.5" (2" Top and 2.5"Riser)

Total Height = _____"



Name: _____ Company Name: _____

Address: _____ City: _____ State: _____ Zip: _____

Email: _____

Phone: _____ Fax: _____