



# ***CRANE MODEL 6000***

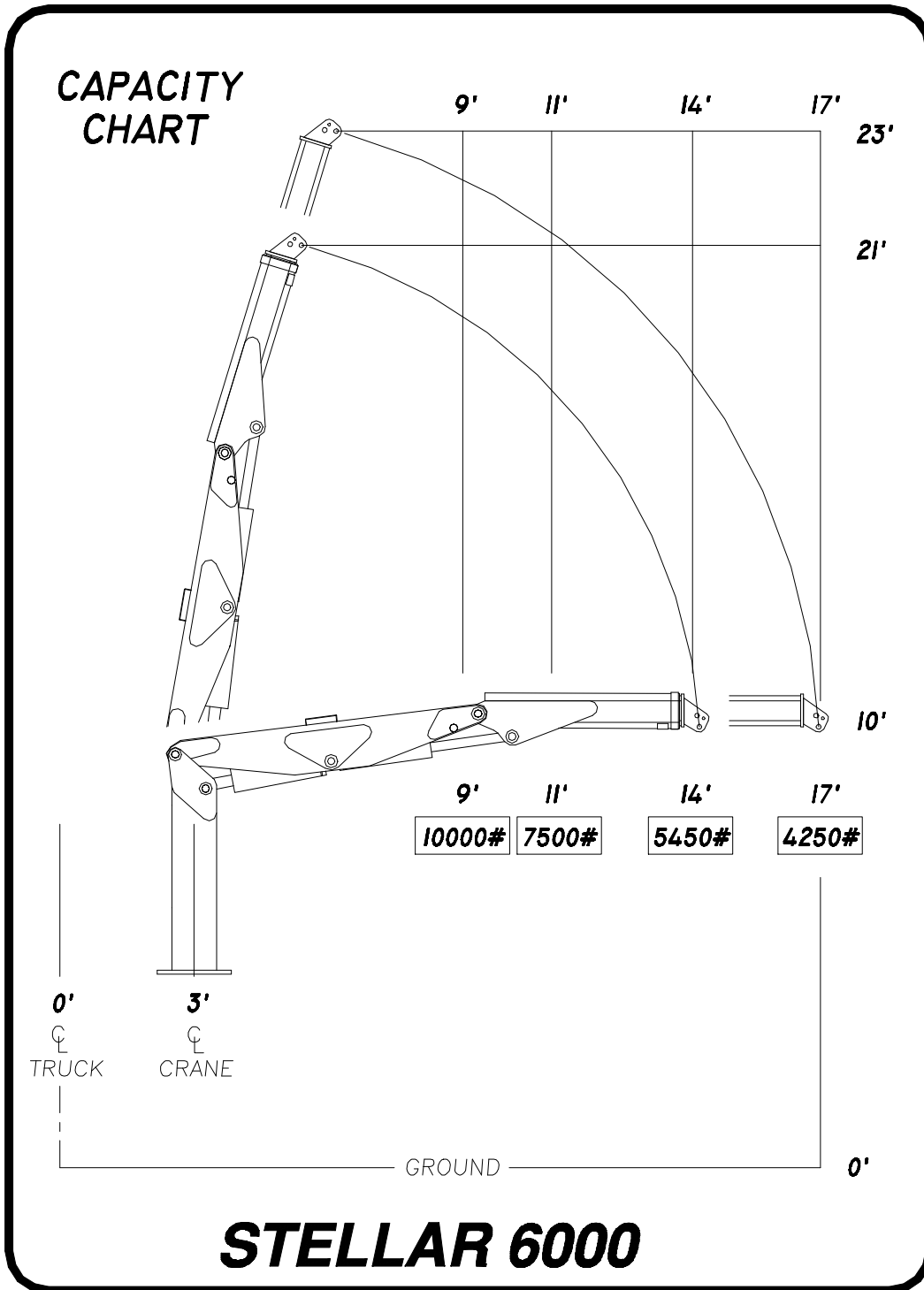
## **TABLE OF CONTENTS STELLAR CRANE 6000**

<b>PAGE</b>	<b>DESCRIPTION</b>
3.)	SPECIFICATION SHEET
4.)	CAPACITY CHART
5.)	CRANE OPERATION
6.)	CRANE PARTS DRAWING
7.)	CONTROL KIT
8.)	HYDRAULIC KIT
9.)	INSTALLATION KIT
10.)	DECAL KIT
11.)	WARRANTY

## SPECIFICATION SHEET

Crane Rating	60,000 foot/pounds
Standard Boom Length	11 foot-from CL of Crane 14 foot-from CL of Truck
Boom Extension	Hydraulic 32 inches
Maximum Horizontal Reach	14 foot-from CL of Crane 17 foot-from CL of Truck
Maximum Vertical Lift (from truck frame)	20 foot
Inner Lift Cylinder	6 inch bore with integral pilot operated counterbalance valves.
Outer Lift Cylinder	5 inch bore with integral pilot operated counterbalance valves.
Extension Cylinder	3 inch bore with integral pilot operated counterbalance valves.
Rotation	290 degree power (hourglass worm gear)
Lifting Capacities	10,000 pounds @ 9 foot 7,500 pounds @ 11 foot 5,450 pounds @ 14 foot 4,250 pounds @ 17 foot
Power Supply Required	PTO & Pump (6 gpm @ 2800 psi)
Controls	25 foot cord with hand held control for all functions. (2-speed control standard)
Stowed Height (above truck frame)	75 inches
Mounting Space Required	32 inches
Approximate Shipping Weight	3150 pounds

# CAPACITY CHART



# CRANE OPERATION

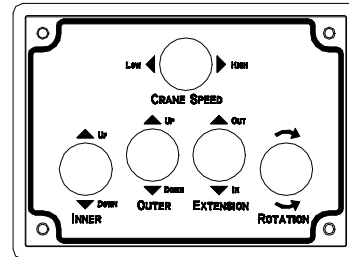
## CRANE OPERATION

THIS CRANE IS CONTROLLED BY AN ELECTRONICALLY OPERATED VALVE BANK. THE CONTROLLER FOR THIS VALVE IS SHOWN TO THE SIDE.

THE FUNCTIONS THAT IT CONTROLS ARE AS FOLLOWS:

- INNER BOOM UP & DOWN
- OUTER BOOM UP & DOWN
- EXTENSION BOOM IN & OUT
- ROTATION CW & CCW

TO RUN ANY HYDRAULIC FUNCTIONS THE PUSH BUTTON SWITCH (AS SHOWN TO THE SIDE) MUST FIRST BE ACTIVATED.



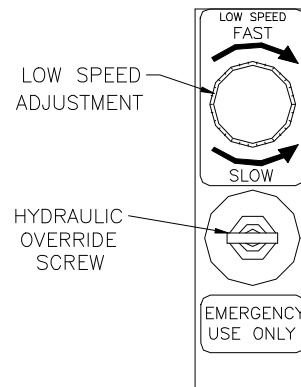
PUSH BUTTON SWITCH  
LOCATED OFF OF  
INDEX FINGER



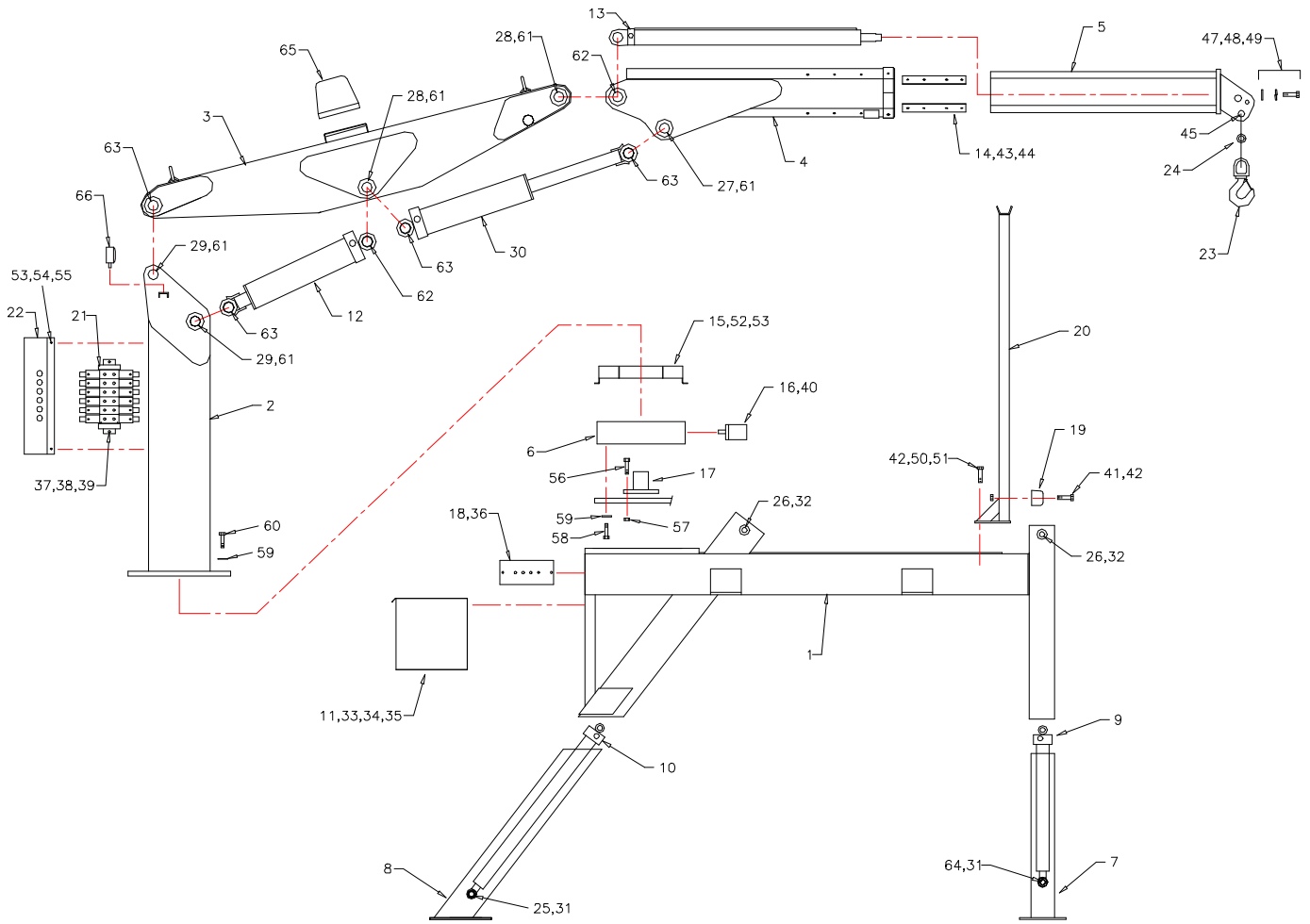
THIS CRANE ALSO HAS TWO WORKING SPEEDS. THE HIGH SPEED IS FIXED, AND IS THE QUICKEST THAT THE CRANE WILL OPERATE. THE LOW SPEED IS FULLY ADJUSTABLE, AND CAN BE ADJUSTED ON THE MANIFOLD LOCATED IN THE CRANE BOX. (AS SHOWN TO THE SIDE)

NOTE: IN THE EVENT THAT THE CRANE HYDRAULICS WILL NOT OPERATE WITH THE HANDLE, TURN THE OVERRIDE SCREW IN THE CRANE BOX.

THE CRANE CAN NOW BE OPERATED WITH THE MANUAL OVERRIDES ON THE VALVE BANK.



# CRANE ASSEMBLY

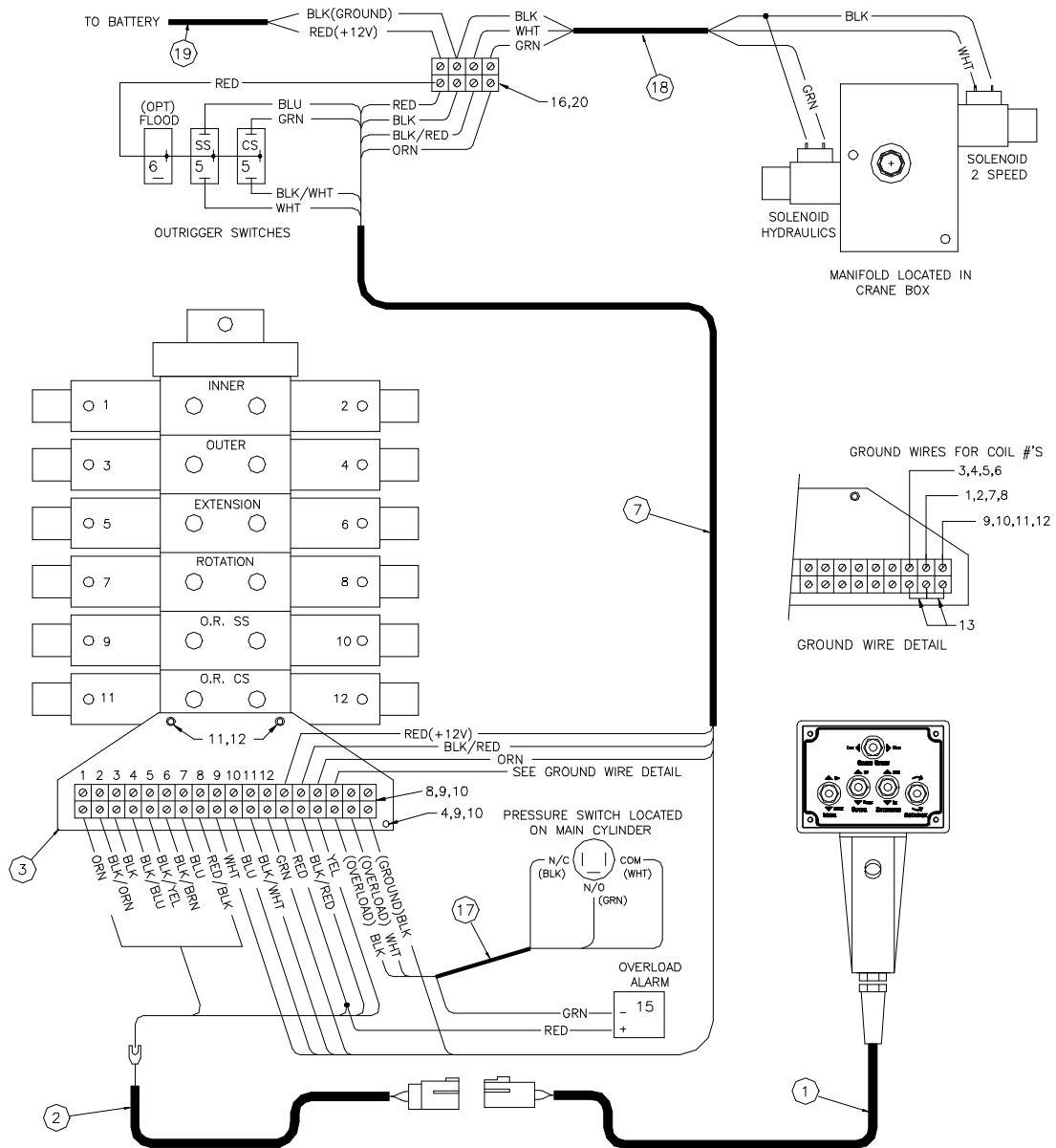


22	5170	VALVEBANK COVER	1
21	3855	VALVE BANK, 6 SECTION	1
20	4792	SADDLE, 3200 CRANE	1
19	3945	RUBBER BUMPER	1
18	4876	SWITCH MTG PLATE	1
17	4074	ROTATION STOP	1
16	5311	MOTOR, HYD	1
15	4874	GUARD, ROTATION DRIVE	1
14	4873	WEAR PAD	4
13	4658	CYLINDER, EXTENSION	1
12	4656	CYLINDER, INNER	1
11	4020	COMPARTMENT ASM, CRANE BOX	1
10	D0773	CYLINDER, OUTRIGGER SS	1
09	3783	CYLINDER, OUTRIGGER CS	1
08	4817	OUTRIGGER LEG, SS	1
07	4816	OUTRIGGER LEG, CS	1
06	4032	BEARING, SWING DRIVE	1
05	4528	EXTENSION BOOM, 6000 CRANE	1
04	4607	OUTER BOOM, 6000 CRANE	1
03	4626	INNER BOOM, 6000 CRANE	1
02	4486	MAST, 6000 CRANE	1
01	4789	BASE, 6000 CRANE	1
ITEM	PART No.	DESCRIPTION	QTY

44	C0302	NUT, .25-20 NYLOC	16
43	4918	CAP SCR, .25-20 X .75 FHS	16
42	C1048	NUT, .50-13 NYLOC	6
41	C0996	CAP SCR, .50-13 X 3.00 HH	2
40	5761	CAP SCR, .50-13 X 2.50 SH	2
39	0346	WASHER, .38 FLAT	4
38	C4776	NUT, .38-16 NYLOC	2
37	C0942	CAP SCR, .38-16 X 1.25 HH	2
36	D0613	SCREW, #14 X .75 TAPPING	2
35	D0607	WASHER, .31 BONDED	8
34	C1047	NUT, .31-18 NYLOC	4
33	C0923	CAP SCR, .31-18 X 1.25 HH	4
32	0110	RETAINING RING, 1.00 EXT	4
31	3875	RETAINING RING, 1.00 INT	4
30	4657	CYLINDER, OUTER	1
29	2451	PIN, 2.00 X 15.00	2
28	4797	PIN, 2.00 X 12.75	2
27	4910	PIN, 2.00 X 9.75	1
26	3796	PIN, 1.00 X 6.50	2
25	4912	PIN, 1.00 X 3.25	1
24	5440	BUSHING	2
23	3863	HOOK	1
ITEM	PART No.	DESCRIPTION	QTY

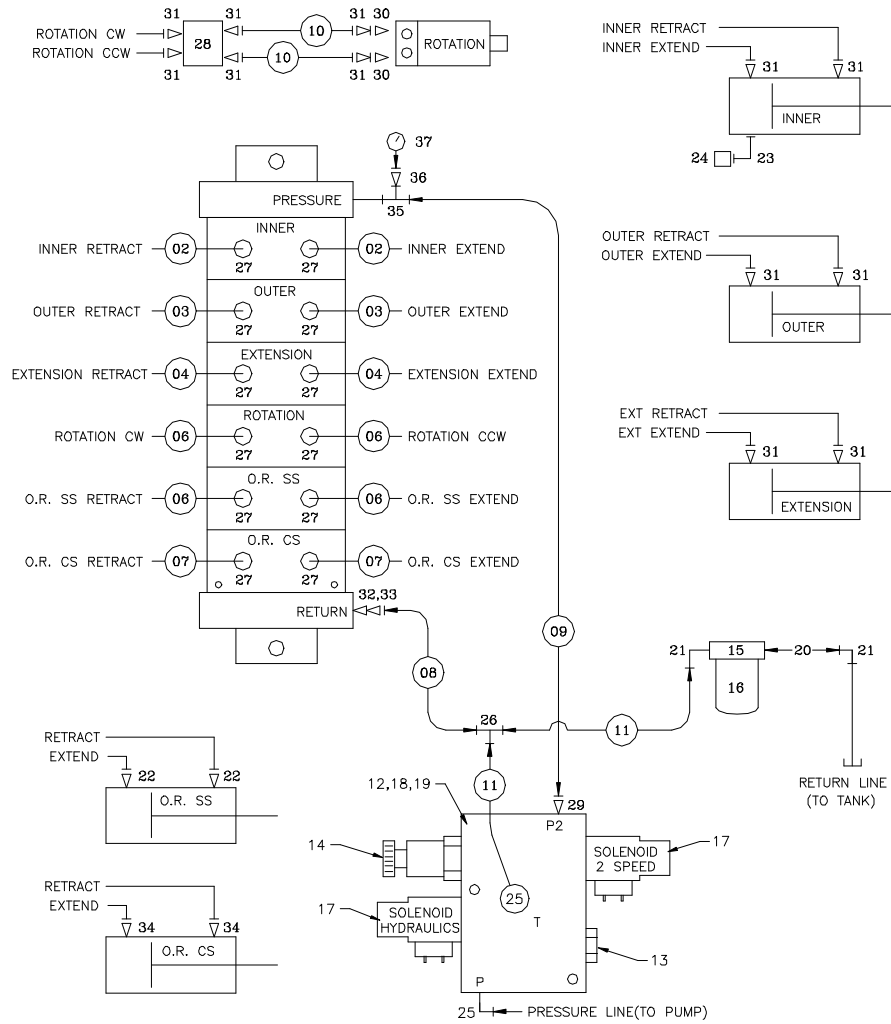
66	2305	FLOOD LIGHT (OPTIONAL EQUIPMENT)	2
65	C0877	BEACON LIGHT (OPTIONAL EQUIPMENT)	1
64	D0977	PIN, 1.00 X 3.75	1
63	4381	BUSHING, 32DXR32	7
62	4380	BUSHING, 32DXR24	4
61	0108	RETAINING RING, 2.00 EXT	10
60	C1026	CAP SCR, .62-11 X 2.50 HHGR8	20
59	C5902	WASHER, .62 GR8	40
58	D1313	CAP SCR, .62-11 X 4.00 HHGR8	20
57	C1049	NUT, .62-11 NYLOC	2
56	D1034	CAP SCR, .62-11 X 3.00 HHGR8	2
55	C0948	CAP SCR, .31-18 X .75 HH	4
54	0522	WASHER, .31 LOCK	4
53	0343	WASHER, .31 FLAT	8
52	C0920	CAP SCR, .31-18 X .50	4
51	0352	WASHER, .50 FLAT	4
50	C0992	CAP SCR, .50-13 X 1.50 HH	4
49	1445	WASHER, 1.00 LOCK	1
48	C1040	WASHER, 1.00 FLAT	1
47	5191	CAP SCR, 1.00-8 X 2.25 HH GR5	1
46			
45	5192	PIN, 1.25 X 7.00	1
ITEM	PART No.	DESCRIPTION	QTY

# CONTROL KIT



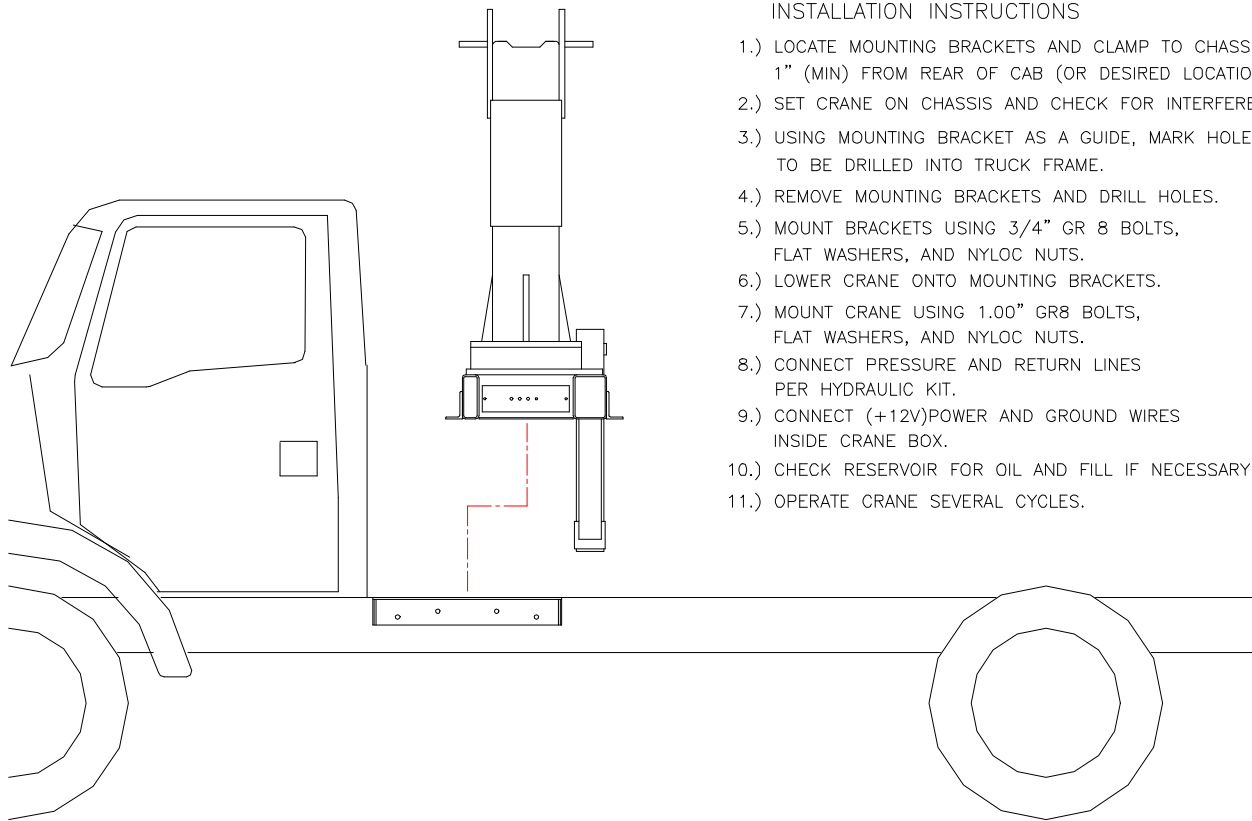
10	D1487	NUT- #10-24	3	20	4909	BRACKET, TERM STRIP	1
09	D1712	CAP SCR - #10-24 X .75 BH SS	3	19	C6202	CABLE, DUPLEX 14-2 X 60.00" LONG	1
08	3877	TERMINAL STRIP - 18	1	18	4571	CABLE, 16-3 x 45.00" LONG	1
07	C3543	CABLE, 18-8 SOW (9ft)	1	17	4571	CABLE, 16-3 x 84.00" LONG	1
06	C4815	SWITCH, ON-OFF	1	16	C4817	TERMINAL STRIP - 4	1
05	C4722	SWITCH, TOGGLE SPDT MOM	2	15	D0045	ALARM, CAPACITY ALERT	1
04	C0078	CLAMP, .38	1	14	C5953	TERMINAL-SPADE 14/16 #10 STUD	27
03	4083	PLATE, TERMINAL STRIP	1	13	C1190	TERMINAL, SADDLE	2
02	5320	PIGTAIL, 6000 CONTROL	1	12	C2202	WASHER .25 LOCK	2
01	4512	HANDLE ASM, CRANE	1	11	C0901	CAP SCR-.25-20 X .50	2
ITEM	PART No.	DESCRIPTION	QTY	ITEM	PART No.	DESCRIPTION	QTY

# HYDRAULIC KIT



19	C0302	NUT, .25-20 NYLOC	2	37	6397	PRESSURE GAUGE	1
18	C0907	CAP SCR, .25-20x2.00	2	36	6390	FTG, ADAPTR-REDUCER	1
17	C3280	VALVE, SOLENOID	2	35	6834	FTG, TEE (MODIFIED C2343)	1
16	C6227	FILTER	1	34	C5672	FTG, ADAPTER PA 4-V5OLO-S	2
15	C6226	FILTER HEAD	1	33	C2376	FTG, ADPTR 8C6LO	1
14	4174	VALVE, FLOW CONTROL-ADJ	1	32	D1290	FTG, ADPTR 8-6 F5OLO	1
13	4930	VALVE, FLOW CONTROL	1	31	C4922	FTG, ADPTR 4-6 F5OLO	12
12	3909	MANIFOLD, 2 SPEED	1	30	C1111	FTG, REDUCER 10-6 F5OG5	2
11	5365	HOSE-HYD .50 X 40	2ref	29	C0279	FTG, ADPTR 6F5OLO	1
10	6437	HOSE-HYD .25 X 20	2ref	28	5757	VALVE, RELIEF	1
09	5363	HOSE-HYD .38 X 115	1ref	27	C4935	FTG, ELBOW 4-6 C5OLO	12
08	5362	HOSE-HYD .50 X 130	1ref	26	C2218	FTG, TEE 8JLO	1
07	5361	HOSE-HYD .25 X 184	2ref	25	C1558	FTG, ADPTR 8C5OLO	2
06	5360	HOSE-HYD .25 X 157	4ref	24	3862	PRESSURE SWITCH	1
05	.	.	.	23	3861	FTG, ELBOW 6815-6-6	1
04	5358	HOSE-HYD .25 X 122	2ref	22	D1291	FTG, ADPTR 4F5OLO	2
03	5357	HOSE-HYD .25 X 72	2ref	21	C2244	ELBOW, 90°	2
02	5356	HOSE-HYD .25 X 54	2ref	20	C1054	NIPPLE, .75x6.00	1
01	5321	HOSE KIT,6000 CRANE (incl:2-11)	1				
ITEM	PART No.	DESCRIPTION	QTY	ITEM	PART No.	DESCRIPTION	QTY

# INSTALLATION KIT

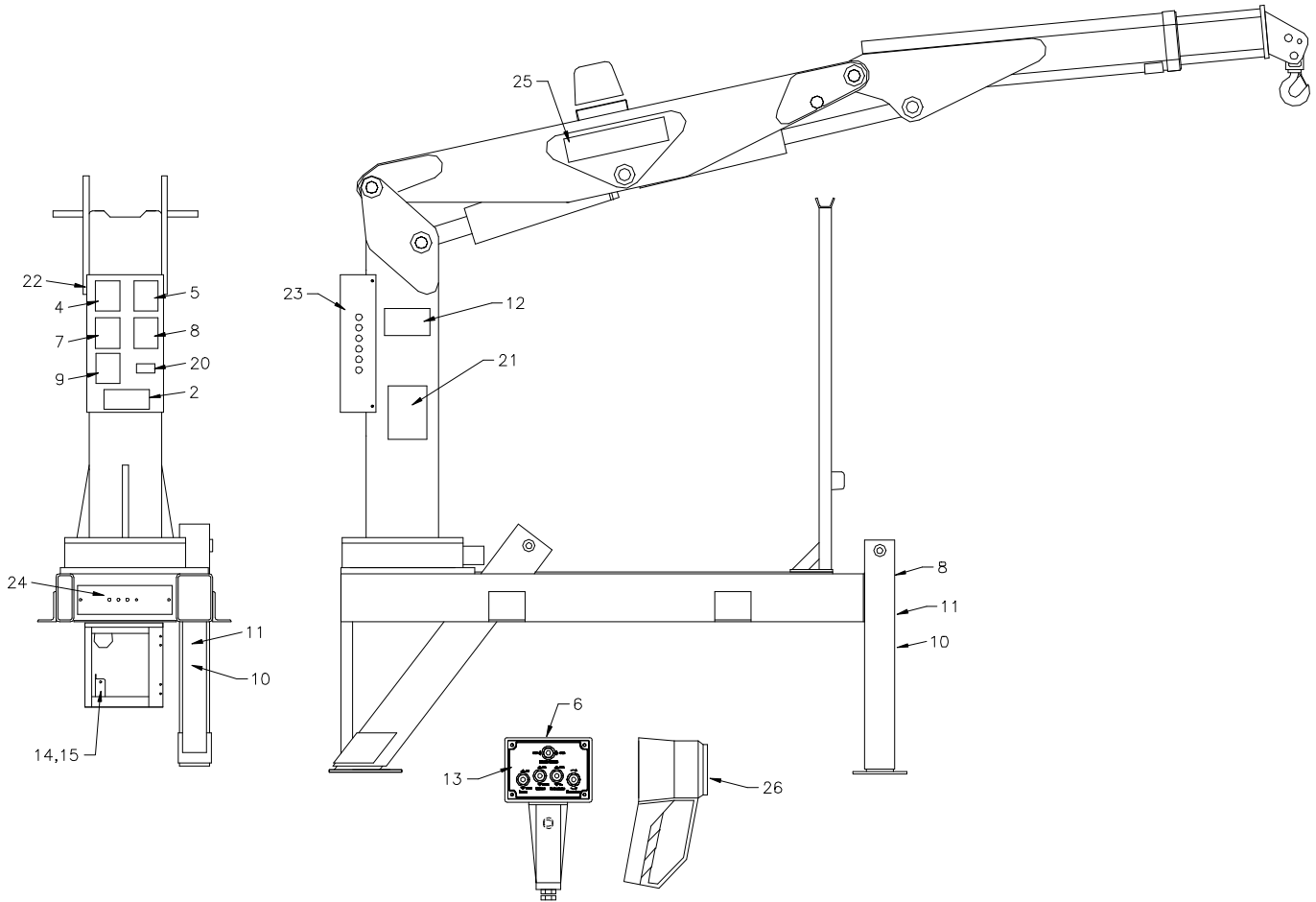


## INSTALLATION INSTRUCTIONS

- 1.) LOCATE MOUNTING BRACKETS AND CLAMP TO CHASSIS 1" (MIN) FROM REAR OF CAB (OR DESIRED LOCATION).
- 2.) SET CRANE ON CHASSIS AND CHECK FOR INTERFERENCES.
- 3.) USING MOUNTING BRACKET AS A GUIDE, MARK HOLES TO BE DRILLED INTO TRUCK FRAME.
- 4.) REMOVE MOUNTING BRACKETS AND DRILL HOLES.
- 5.) MOUNT BRACKETS USING 3/4" GR 8 BOLTS, FLAT WASHERS, AND NYLOC NUTS.
- 6.) LOWER CRANE ONTO MOUNTING BRACKETS.
- 7.) MOUNT CRANE USING 1.00" GR8 BOLTS, FLAT WASHERS, AND NYLOC NUTS.
- 8.) CONNECT PRESSURE AND RETURN LINES PER HYDRAULIC KIT.
- 9.) CONNECT (+12V)POWER AND GROUND WIRES INSIDE CRANE BOX.
- 10.) CHECK RESERVOIR FOR OIL AND FILL IF NECESSARY
- 11.) OPERATE CRANE SEVERAL CYCLES.

07	6294	NUT, 1.00-8 NYLOC	4
06	6538	WASHER, 1.00 FLAT SAE	8
05	5199	CAP SCR, 1.00-8 X 3.00 HHGR8	4
04	C0538	NUT, 0.75-10 NYLOC	8
03	C6219	WASHER, FLAT .75 SAE	16
02	C1028	CAP SCR, 0.75-10 X 3.00 HHGR8	8
01	5138	TIE DOWN, 6000 CRANE	2
ITEM	PART No.	DESCRIPTION	QTY

# DECAL KIT



13	6513	DECAL-HANDLE(FACE PLATE)	1	26	6832	DECAL-MAGNET COVER	1
12	C1179	DECAL-ELECTROCUTION 4.5x7.5	2	25	5164	DECAL-IDENTIFICATION	2
11	C5918	DECAL-DANGER MOVING O.R.	2	24	4158	DECAL-OR PANEL	1
10	C4795	DECAL-DANGER O.R.	2	23	4159	DECAL VB CONTROL RS	1
09	4190	DECAL-DANGER	1	22	4160	DECAL-VB CONTROL LS	1
08	C4541	DECAL-DANGER STOWING	2	21	5165	DECAL-CAPACITY	2
07	4189	DECAL-DANGER	1	20	4214	DECAL-SERVICE	1
06	4186	DECAL-ELECTROCUTION 2x2.75	1	* 19	4305	DECAL-FLOOD LIGHT	1
05	C4544	DECAL-DANGER	1	* 18	C0568	DECAL-DIESEL FUEL ONLY	2
04	C4540	DECAL-DANGER	1	* 17	C5911	DECAL-STELLAR 2x4.5	3
* 03	C4545	DECAL-ELECTROCUTION 5x13	4	* 16	C5910	DECAL-STELLAR 4x9.5	1
02	4187	DECAL-ELECTROCUTION 3.25x7.5	1	15	4402	DECAL-EMERGENCY USE ONLY	1
01	4188	DECAL-ALIGNMENT	1	14	4306	DECAL-LOW SPEED	1
ITEM	PART No.	DESCRIPTION	QTY	ITEM	PART No.	DESCRIPTION	QTY

\*THESE DECALS NOT SHOWN(USE WITH BODY PACKAGE)

## **Limited Warranty Statement**

for Stellar Tire Service Trucks, Truck-mounted Cranes, & Truck-mounted Compressed Air Systems ONLY

Stellar Industries, Inc. (Stellar) warrants products designed and manufactured by Stellar to be free from defects in material and workmanship under proper use and maintenance. Products must be installed and operated in accordance with Stellar's written instructions and capacities. The warranty period shall cover the following:

### **Twelve (12) month warranty on all Stellar designed and fabricated parts, and Ninety (90) days repair labor**

The warranty period shall begin from the date recorded by Stellar as the in-service date. This date will be derived from the completed warranty registration card. In the event a warranty registration card is not received by Stellar, the factory ship date will be used. Stellar's obligation under this warranty is limited to, and the sole remedy for any such defect shall be, the repair and/or replacement (at Stellar's option) of the unaltered part and/or component in question. Stellar after-sales service personnel must be notified by telephone, fax, or letter of any warranty-applicable damage within fourteen (14) days of its occurrence. If at all possible, Stellar will ship the replacement part within 24-hours of notification by the most economical, yet expedient, means possible. Expedited freight delivery will be at the expense of the owner.

Warranty claims must be submitted and shall be processed in accordance with Stellar's established warranty claim procedure. Stellar Service personnel must be contacted prior to any warranty claim. A return materials authorization (RMA) account number must be issued to the claiming party prior to the return of any warranty parts. Parts returned without prior authorization will not be recognized for warranty consideration. All damaged parts must be returned to Stellar freight prepaid; freight collect returns will be refused.

Warranty service will be performed by any Stellar new equipment distributor, or by any Stellar-recognized service center authorized to service the type of product involved, or by the Stellar factory in the event of a direct sale. At the time of requesting warranty service, the owner must present evidence of date of delivery of the product. The owner shall be obligated to pay for any overtime labor requested of the servicing company by the owner, any field service call charges, and any towing and/or transportation charges associated with moving the equipment to the designated repair/service provider.

All obligations of Stellar and its authorized dealers and service providers shall be voided if someone other than an authorized Stellar dealer provides other than routine maintenance service without prior written approval from Stellar. In the case repair work is performed on a Stellar-manufactured product, original Stellar parts must be used to keep the warranty in force. The warranty may also be voided if the product is modified or altered in any way not approved, in writing, by Stellar.

The owner/operator is responsible for furnishing proof of the date of original purchase of the Stellar product in question.

Warranty registration is the ultimate responsibility of the owner and may be accomplished by the completion and return of the Stellar product registration card provided with the product. If the owner is not sure of registration, he is encouraged to contact Stellar at the address below to confirm registration of the product in question. This warranty covers only defective material and workmanship. It does not cover depreciation or damage caused by normal wear and tear, accident, mishap, untrained operators, or improper or unintended use. The owner has the obligation of performing routine care and maintenance duties as stated in Stellar's written instructions, recommendations, and specifications. Any damage resulting from owner/operator failure to perform such duties shall void the coverage of this warranty. The cost of labor and supplies associated with routine maintenance will be paid by the owner.

The only remedies the owner has in connection with the breach or performance of any warranty on the Stellar product specified are those set above. In no event will Stellar, the Stellar distributor/dealer, or any company affiliated with Stellar be liable for business interruptions, costs of delay, or for any special, indirect, incidental, or consequential costs or damages. Such costs may include, but are not limited to, loss of time, loss of revenue, loss of use, wages, salaries, commissions, lodging, meals, towing, hydraulic fluid, or any other incidental cost.

All products purchased by Stellar from outside vendors shall be covered by the warranty offered by that respective manufacturer only. Stellar does not participate in, or obligate itself to, any such warranty.

Stellar reserves the right to make changes in design or improvement upon its products without imposing upon itself the same upon its products theretofore manufactured.

This warranty will apply to all Stellar Tire Service Trucks, Truck-mounted Cranes, & Truck-mounted Compressed Air Systems shipped from Stellar's factory after January 1, 1997. The warranty is for the use of the original owner only and is not transferable without prior written permission from Stellar.

**THIS WARRANTY IS EXPRESSLY IN LIEU OF ANY OTHER WARRANTIES, EXPRESS OR IMPLIED, INCLUDING ANY WARRANTY OF MERCHANTABILITY OR FITNESS FOR A PARTICULAR PURPOSE. REMEDIES UNDER THIS WARRANTY ARE LIMITED TO THE PROVISION OF MATERIAL AND SERVICES, AS SPECIFIED HEREIN. STELLAR INDUSTRIES, INC. IS NOT RESPONSIBLE FOR INCIDENTAL OR CONSEQUENTIAL DAMAGES.**

**Stellar Industries, Inc. 280 West Third Street Garner, Iowa 50438  
U.S.A. Telephone: 800/392-3015; 515/923-3741 Fax: 515/923-2812; 515/923-2811**

revised 1/1/97